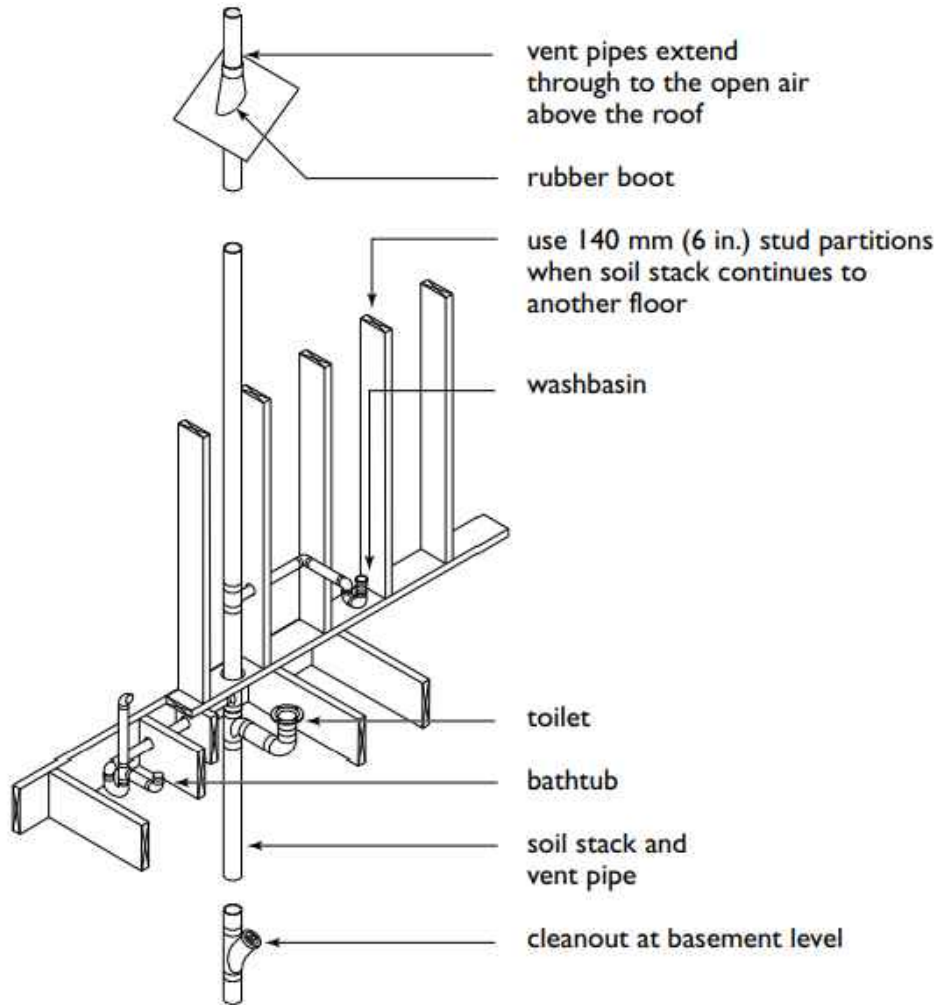
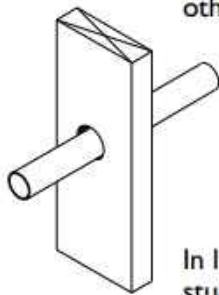


# Venting For Plumbing



In partitions, holes may be drilled in studs if the remaining portion totals at least 40 mm (1½ in.); otherwise studs must be suitably reinforced.



In load-bearing walls, the remaining portion of the stud must be at least ⅔ the depth of the studs; otherwise, studs must be suitably reinforced.



TOWN OF  
**GRIMSBY**

## Plumbing Detail A1

ADDRESS:

160 Livingston Ave.

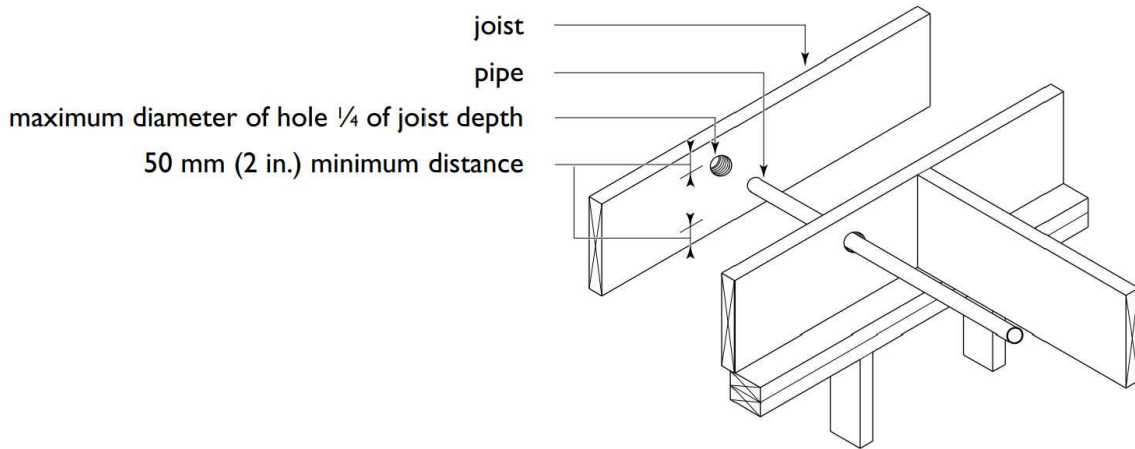
APPLICANT:

Building Dept.

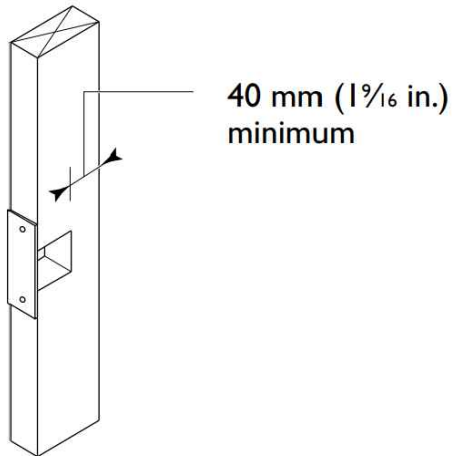
DATE:

2025/01/22

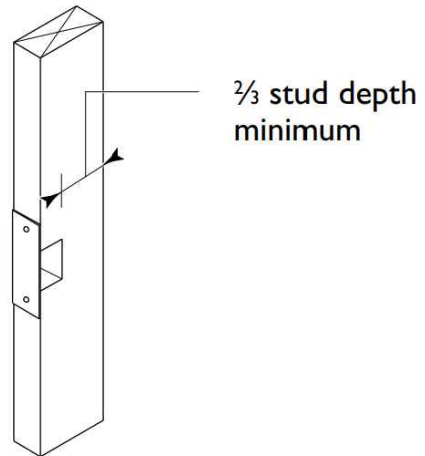
# Max. Size of Holes Drilled in Joists



# Notching Studs for Plumbing



In partitions, notched studs need not be reinforced if remaining portion is at least 40 mm ( $1\frac{5}{16}$  in.).



In load-bearing walls, notched studs need not be reinforced if remaining portion is at least  $\frac{2}{3}$  the depth of the studs.



TOWN OF  
**GRIMSBY**

## Plumbing Detail A2

ADDRESS:

160 Livingston Ave.

APPLICANT:

Building Dept.

DATE:

2025/01/22

[www.grimsby.ca](http://www.grimsby.ca)