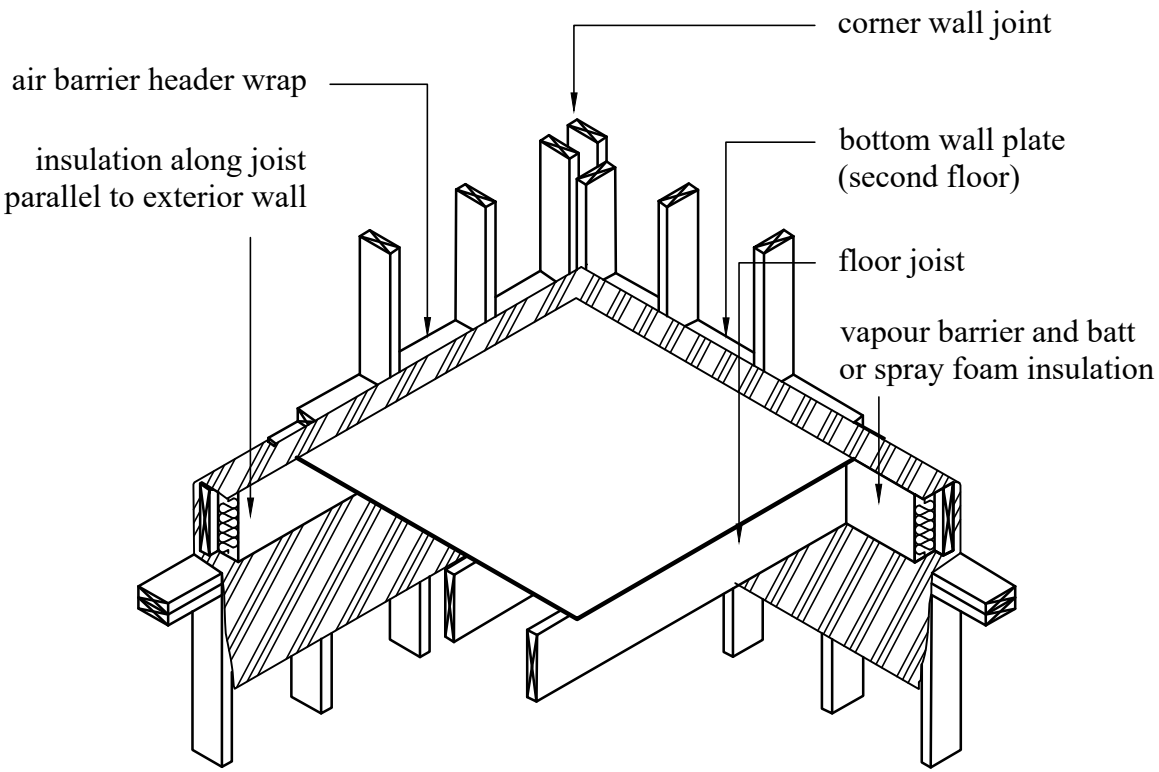


Air Barrier Around Rim Joist At Floor Intersection



Air Barrier Detail A1



TOWN OF
GRIMSBY

ADDRESS:

160 Livingston Ave.

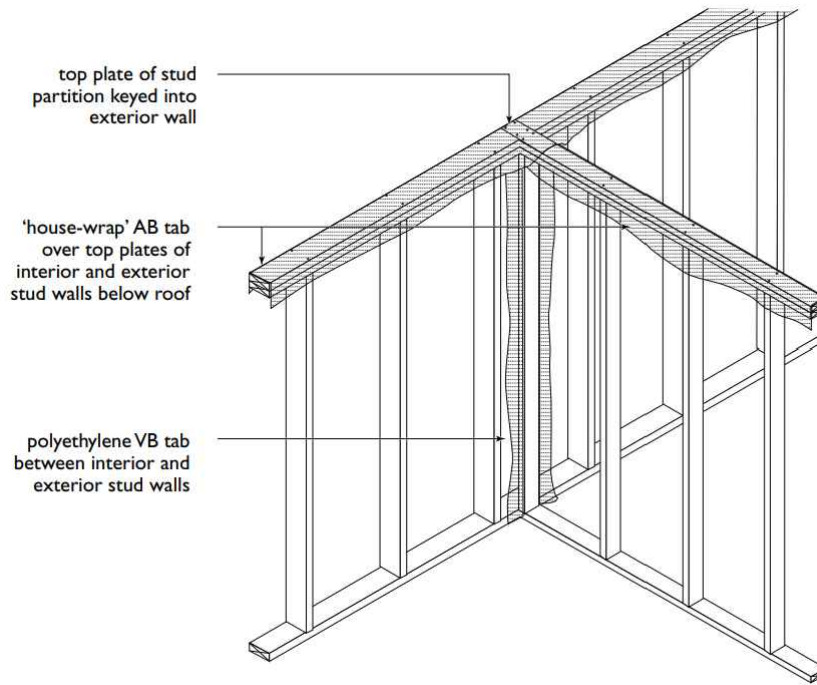
APPLICANT:

Building Dept.

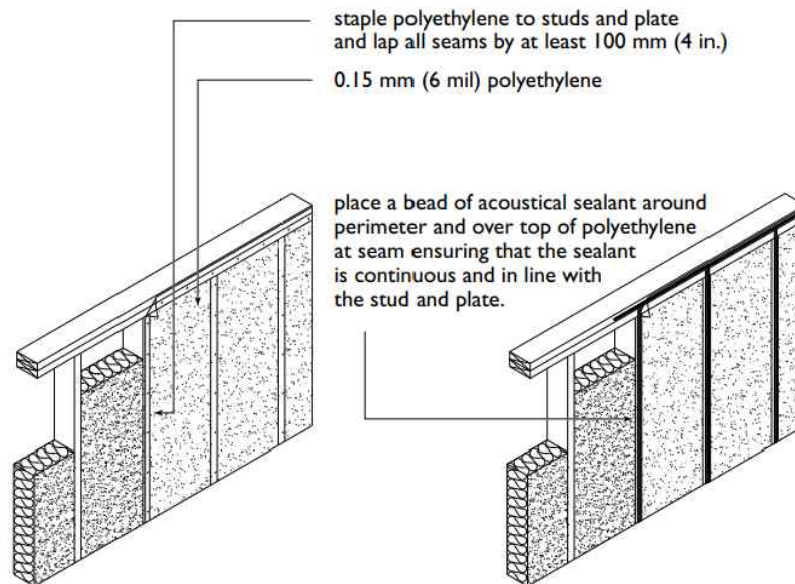
DATE:

2025/01/22

Vapour Barrier Over Wall Top Plates



Combined Air/Vapour Barrier



TOWN OF
GRIMSBY

Air Barrier Detail A2

ADDRESS:

160 Livingston Ave.

APPLICANT:

Building Dept.

DATE:

2025/01/22

www.grimsby.ca